

MARSHMALLOW SHOOTER™ INSTRUCTIONS

LOADING

- 1. Remove marshmallow magazine:** Lift the magazine tube up and out of the rear grip and pull it backwards to remove.
- 2. Load marshmallows:** Fill the magazine with mini-marshmallows, flat side down to prevent jams.
- 3. Replace magazine:** Re-insert the open end of the loaded magazine into the manifold insert and push firmly to make a vacuum. Press the magazine into the rear grip until it snaps into place.

SHOOTING

- 1. Load chamber:** Point the Shooter downwards and pull the handgrip to the back position.
- 2. Fire marshmallows:** Aim at target and push the front handgrip forward quickly to shoot, repeating until the magazine is empty. Rapid fire marshmallows with a swift backwards and forwards motion.

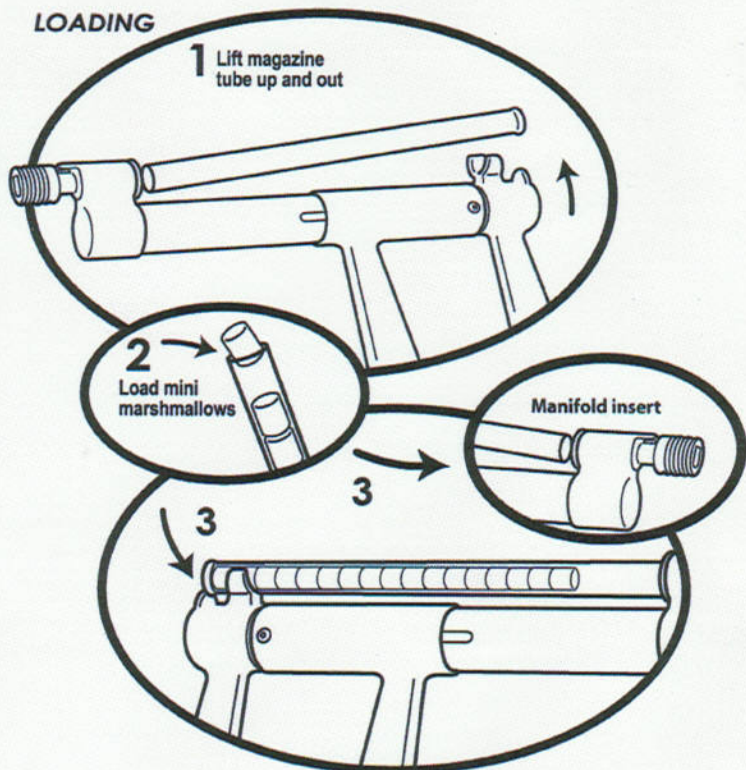
CLEANING

- 1. Remove magazine:** Place the magazine in the top rack of a dishwasher or if hand-washed, don't scratch the inside surface.
- 2. Remove barrel:** Twist the barrel counter-clockwise and pull to remove, wash with hot water.
- 3. Dry completely:** Remove all moisture before reloading the magazine or replacing the barrel to keep marshmallows from swelling and clogging the Shooter.

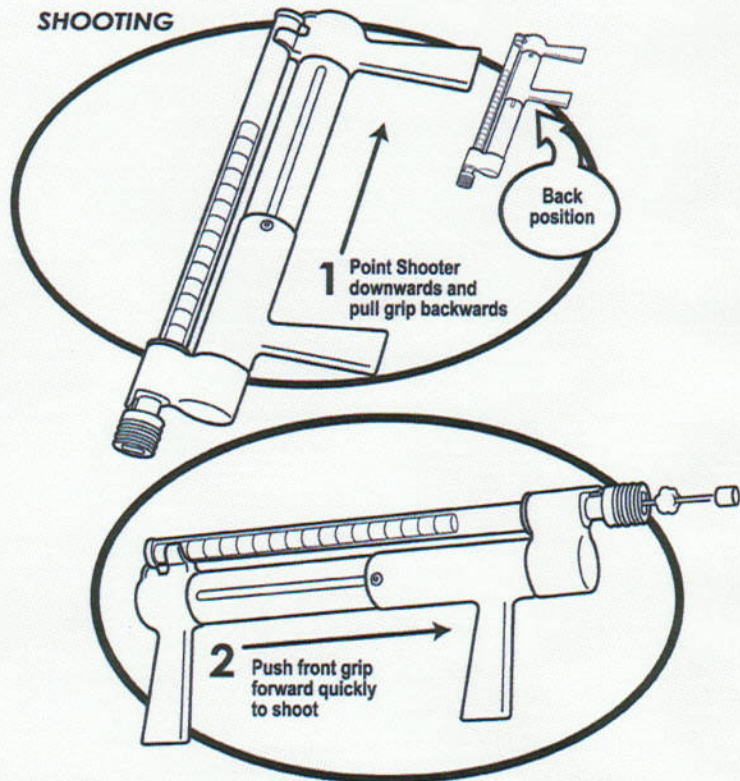
⚠ WARNING

Do not shoot into mouth, eyes or face.
Do not modify Shooter or use if damaged.
Shoot marshmallows only. Do not try to shoot anything other than marshmallows.
Do not eat marshmallows after shooting.

LOADING



SHOOTING



Marshmallow Fun Company wants every customer to be a happy one.

For support or questions, call toll-free 877.894.6073

MARSHMALLOW FUN COMPANY, LLC

2544 Elm Street, Suite 200 Dallas, Texas 75226 877.894.6073

fax 214.741.1384

www.marshmallowville.com

100608